

# Stull Feeder Assembly Instructions (Boxed)

## *For 200 Pound Feeder*

- 1.)** Start by standing single side panel(1) on flat surface, and place rear panel (4) inside of side flange aligned with holes, and insert 1/4x1/2 bolts from outside in and install locking nut. Repeat this step for the other side.
- 2.)** Place angled bottom in place(2)with flange facing feeder top aligned with holes and insert 1/4x1/2 bolts from outside and install locking nuts on the inside.(Do not fully tighten)
- 3.)** Attach upper front panel (3) along with door runner(5)to side at the same time using supplied 1/4x1/2 bolts from the outside and attaching lock nuts from inside leaving the 3rd and 4th bolt from the top open. You will attach the handle bracket using these holes later.  
(NOTE...Handle bracket can be placed on either side for left or right operation.)
- 4.)** Now you are ready to tighten bolts starting with the bolts holding sloping feeder bottom in first. Then tighten remaining bolts.(Use screwdriver to keep gap in slot where gate will slide on step 9)
- 5.)** Flip upside down and slide tool box bottom (11)in place aligning 4 holes across bottom flange with the holes in the sides. Now hold angled mounting bracket on inside of toolbox bottom aligning with the 4 holes and secure side bottom and mounting bracket together with the supplied 1/4x1/2 inch bolts. Repeat process for the other side. Before tightening bolts, align lower holes in feeder back and secure with 1/4x1/2 supplied bolts.
- 6.)** Flip right side up and attach chute (7)to feeder bottom by inserting 2 (1 on each side)1/4x1/2 bolts through remaining holes in feeder bottom and snug locking nuts just enough to allow chute to pivot freely.
- 7.)** Attach handle bracket (8) to left or right side of feeder using 1/4x1/2 inch bolts to remaining holes left open earlier, sliding bolt in from outside and lock nut from the inside.
- 8.)** Insert feeder door (9) by simply sliding between feeder front and door runners. At this time install gate stop using supplied t-bolt like in photo.
- 9.)** Bolt handle (10) to handle bracket (8) using 1/4x3/4 inch bolt. Attach other end of door handle to the center hole in sliding door by inserting 7/16x1 bolt through the backside, at this time put 2-7/16 washers and then slide handle on bolt. Now using another 7/16 washer put a 7/16 lock nut on bolt and snug tight. (BE CAREFUL NOT TO OVER TIGHTEN)
- 10.)** Install edge guard on top flange of feeder (where feeder top (6)will slide. Use one for each side. Also, at this time install chute catch as shown in photo on backside of handle bracket (8) using top hole.
- 11.)** Finally, install handle on feeder top and slide on the feeder by aligning the angled top guides to the 1 inch tabs on each of the side panels.
- 12.)** Your Stull Feeder is now ready for installation on your ATV or UTV.

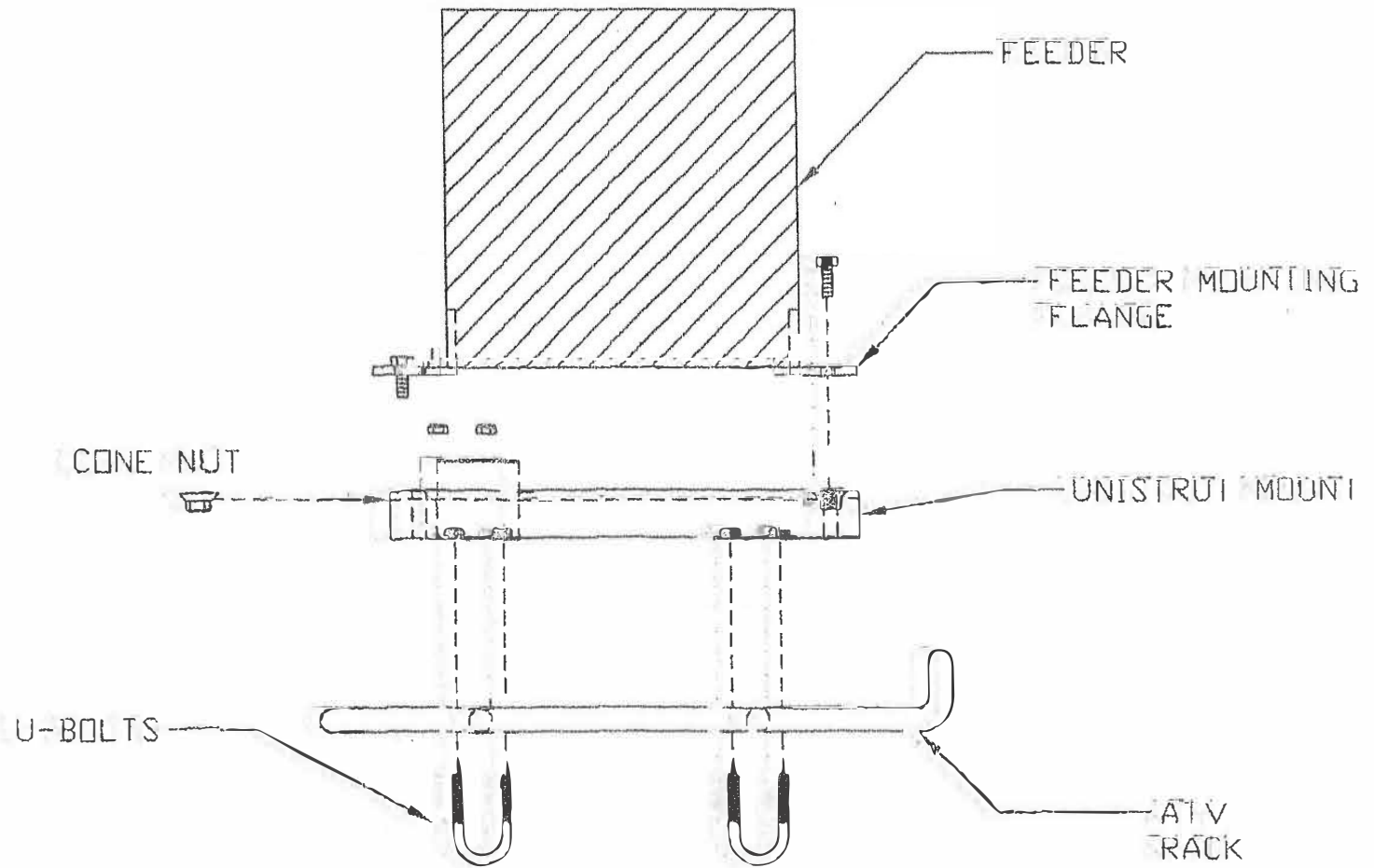
For digital instructions visit [stullfeeders.com](http://stullfeeders.com). Under Products & Services you will see feeder instructions.

For questions on operation, assembly, or replacement parts call 1-800-369-4131, or e-mail to [info@stullfeeders.com](mailto:info@stullfeeders.com)

Stull Feeders Incorporated 2007, 1595 Mountain Vista Rd, Harrison, AR 72601, Patent Pending

200 Pound Feeder Diagram -2-

ATV MOUNTING ILLUSTRATION





**STULL FEEDERS WARRANTY**

Your *Stull Feeder* is covered by a one (1) year Limited Warranty on material and workmanship from date of original purchase. Purchase must have been made through an Authorized Dealer. This warranty covers defects in workmanship and materials. This warranty does not apply to units damaged due to intentional abuse. A purchase from individuals, unauthorized dealers, or unauthorized internet sites voids the warranty.

**THIS WARRANTY DOES NOT APPLY TO CORROSION, RUST, ETC. AFFILIATED WITH PRODUCTS USED CONTAINING EXTREME SALT CONTENT.**

**Return authorization must be obtained from Customer Service at 800-369-4131 prior to returning product.**

**\*\*NOTE: There will be a 20% restocking fee on all returned feeders not associated to warranty issues.**

**PLEASE RETURN BOTTOM PORTION WITHIN 15 DAYS OF PURCHASE. THANK YOU.**



**PRODUCT REGISTRATION**

**STULL FEEDERS, INC.**

*First Name:*

*Initial:*

*Last Name:*

---

*Address:*

---

*City:*

*State:*

*Zip:*

---

*E-Mail:*

*Phone #:*

---

*Date of Purchase:*

*Where Purchased:*

---

*Item Purchased:*

---

**Send Product Registration to:**

**STULL FEEDERS, INC.  
1595 Mountain Vista Rd., Harrison, AR 72601  
[info@stullfeeders.com](mailto:info@stullfeeders.com)**